

ARTWORK APPROVAL FORM

ORDER DETAILS

ORDER NUMBER: X
 ITEM CODE: COMBE1-25XD
 QUANTITY: X
 X: X
 X: X

PAPER DETAILS

COLOUR: RECYCLED
 TYPE: STANDARD
 WEIGHT: 80 GR
 X: X
 X: X

COVER (A1)

TECHNIQUE: X
 COLOUR: CMYK
 SIZE: AS ARTWORK
 X: X
 X: X

INNER COVER (B1)

TECHNIQUE: X
 COLOUR: X
 SIZE: AS ARTWORK
 X: X
 X: X

STICKY NOTES (C1, D1, E1, F1)

TECHNIQUE: X
 COLOUR: X
 SIZE: AS ARTWORK
 X: X
 X: X

MARKERS (G1, H1)

TECHNIQUE: X
 COLOUR: X
 SIZE: AS ARTWORK
 REC. MARKERS: BLUE / YELLOW / PINK



SCALE 1:2

GENERAL COMMENTS:

DUE TO THE NATURE OF FULL COLOUR PRINTING THE OUTCOME OF THE FINAL COLOUR RESULT CAN BE SLIGHTLY DIFFERENT IN A REAL SAMPLE.
 WATERMARK EFFECT MIGHT BE DIFFERENT FROM EXPECTATION.THE FINAL EFFECT CAN BE TOO DARK OR TOO BRIGHT.

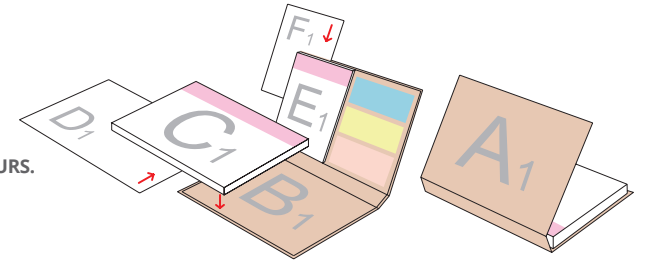
ATTENTION:

ALL IMPRINTS ON UNCOATED PAPER CAN BE A LITTLE SHINY.

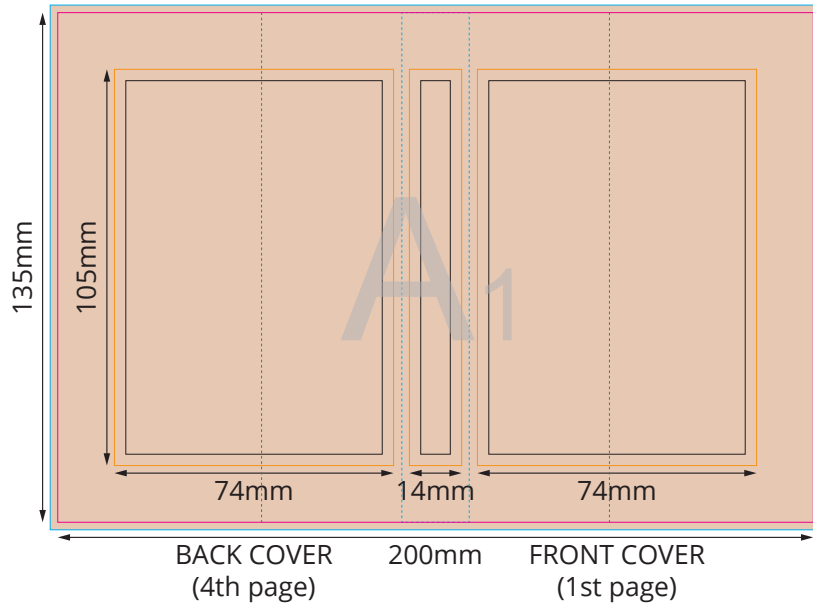
DUE THE SURFACE OF ECO ITEM (BROWN PAPER) THE COLOUR RESULT MIGHT BE DIFFER FROM EXPECTATION, ESPECIALLY FOR VERY BRIGHT COLOURS.

DUE THE MATERIAL AND PRODUCTION PROCESS ECO PRODUCTS DON'T INCLUDE ANY FINISHING.

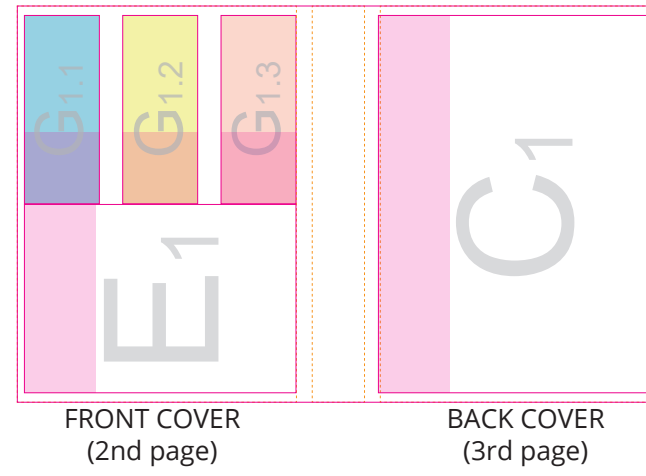
DUE THE CRAFT MATERIAL OF ITEM, WHILE COVER PART IS BEING FOLD, THERE IS RISK OF WIPING PRINT OUT ON THE COVER EDGES.
 IT IS SUGGESTED TO KEEP PRINTING INSIDE SAFE PRINT AREA



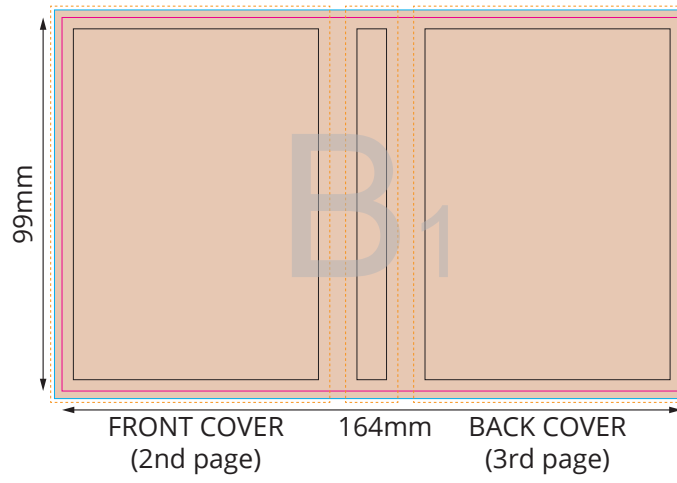
OUTER COVER



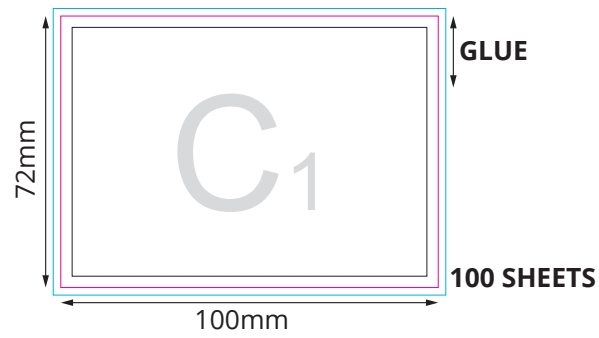
SKETCH OF COMPONENT PLACEMENT



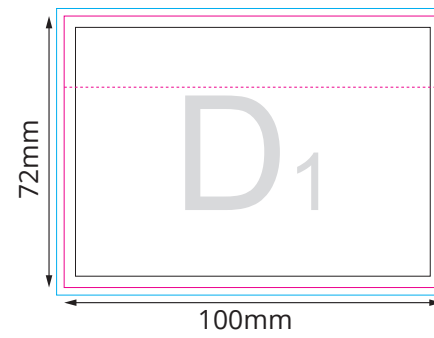
INNER COVER



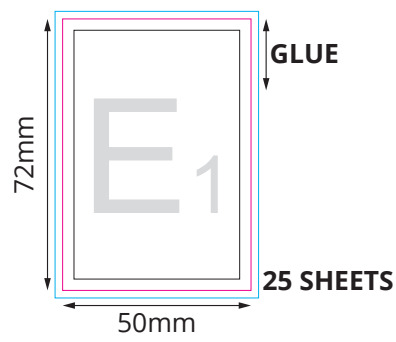
STICKY NOTES



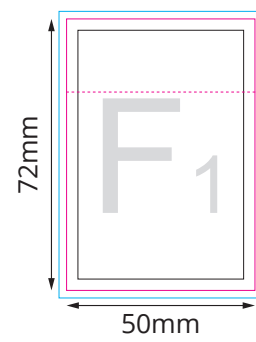
BOTTOM SHEET



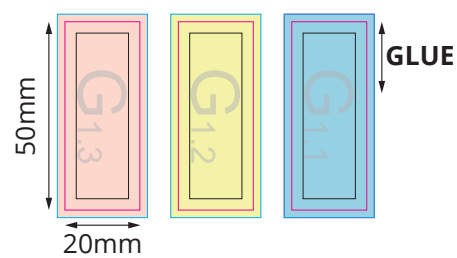
STICKY NOTES



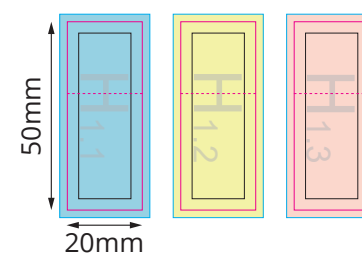
BOTTOM SHEET



PAPER MARKERS



BOTTOM SHEET



Key:

- Finished component size
- Bleed area. In case of bleed imprint, please extend it until blue line
- Safe print area. Keep all important text and graphics within this area
- Solid Board
- Edge of Solid Board
- Visual Spine Edge
- Axis of the Product

yourChoice



A 1

B1

C₁

The image features a central rectangular frame with a black border. This frame is enclosed within a larger rectangular frame with a blue border. A horizontal dashed pink line is drawn across the middle of the inner frame. The text 'D1' is centered within the inner frame, with the 'D' being significantly larger than the '1'. The 'D' is a simple, rounded, sans-serif font, and the '1' is a simple, vertical, sans-serif font.

D1

E₁

1

G
1.1

GJ1.2

G
1.3

五
一
一

F
1.2

F1.3